



48Mp USB2.0 CMOS camera
Module

DJU-480

Product Specification

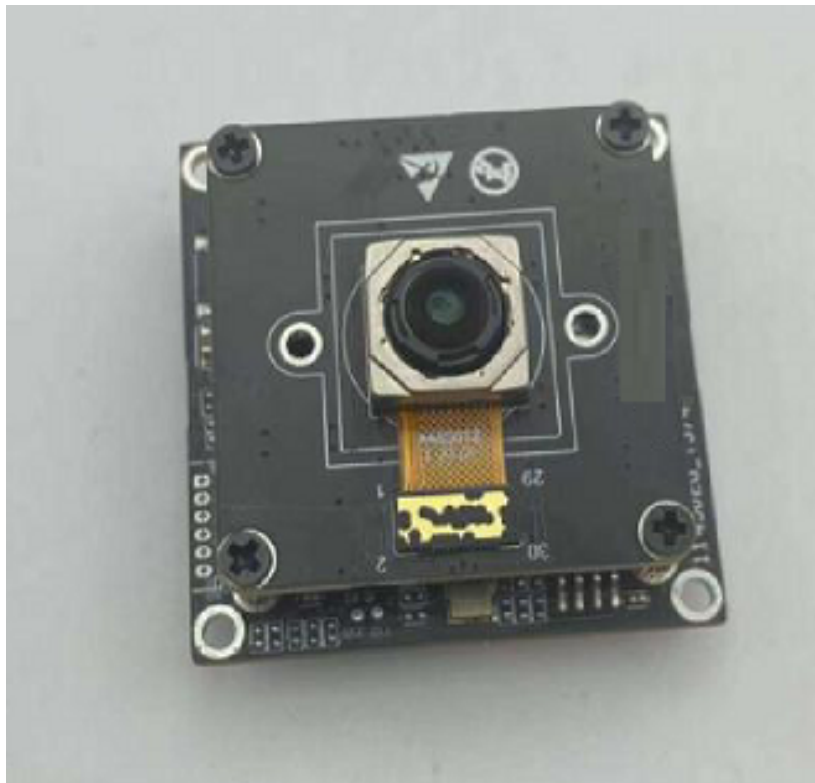
Release version:1.0

USB 2.0 48Mp Camera module

USB 2.0 Interface Camera Module
48 Mega pixel (auto-focus)

Model Name: **DJU-480**

Photos

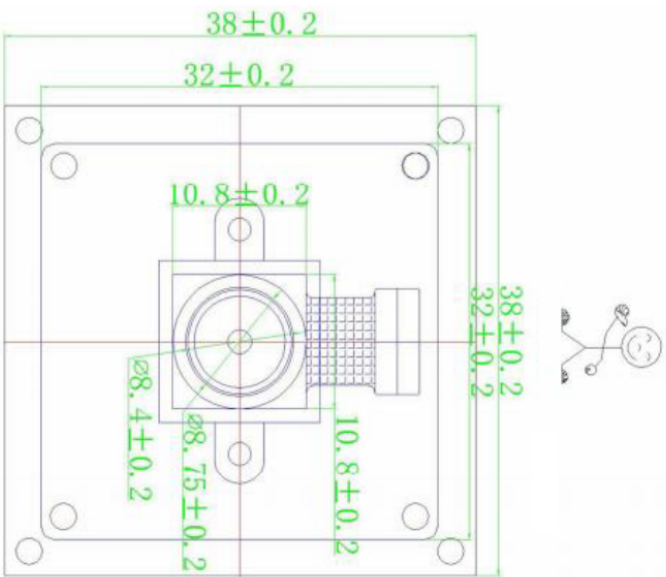


Features

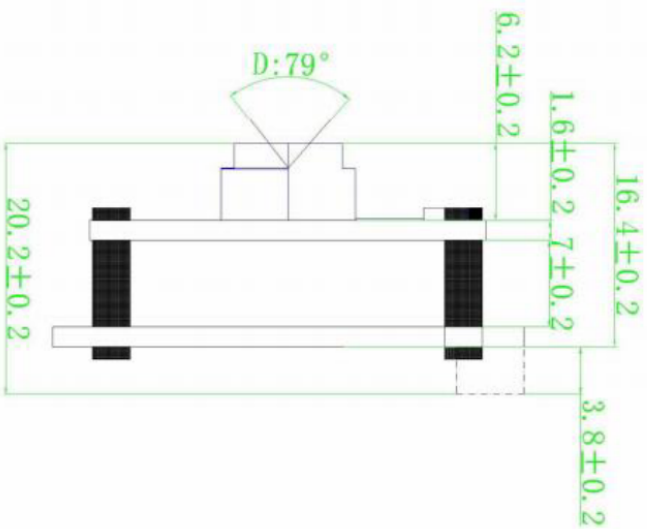
Sensor	1/2" CMOS Sensor
Resolution	48.0 Megapixel 8000H x 6000V
Pixel	0.8um(H) x 0.8um(V)
Focus Type	PD Auto Focus
DFOV	79 degree
Output Format	MJPEG, YUV2
Lens	EFL: 4.71mm F/NO: 1.79 6P
Shutter type	Electronic Rolling shutter
Controllable Features	Brightness, Contrast, Saturation, Hue, Sharpness,
Power Consumption	USB DC +5V Supply
Operating Temperature	-20°~ +60°
Storage Temperature	-20°~ +85°
Humidity	80 ~85%
Protocol & Connection	Plug & Play, UVC compliant
Output & Power Supply	USB2.0
Power Socket	5pin 1.25mm socket
Supported OS	Windows, Android, Linux, Wince, Mac OS
Cable length	Default 1m USB cable
Module Size	38 * 38mm

FORMAT	RESOLUTION	FRAME RATE	
		MJPEG	YUY2
	8000X6000 (48MP)	5 fps	N/A
4000X3000 (12MP)	15 fps	N/A	
3840X2160 (4K)	30 fps	N/A	
1920X1080 (1080P)	30fps	5fps	
1280X720 (720P)	30fps	10fps	
640X480 (VGA)	N/A	30fps	

Top view



Side view



Bottom view

