



Full HD 1080p USB2.0 CMOS Camera
Module for **“Facial Recognition”**
DJU-T201

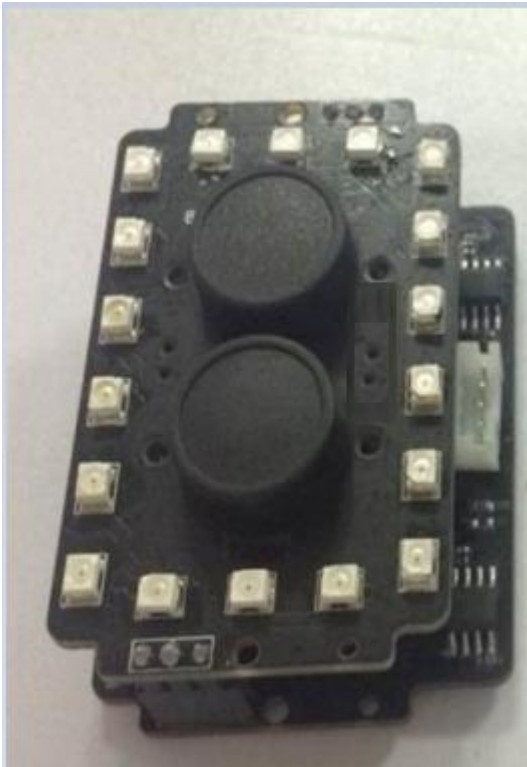
Product Specification

Release version:1.0

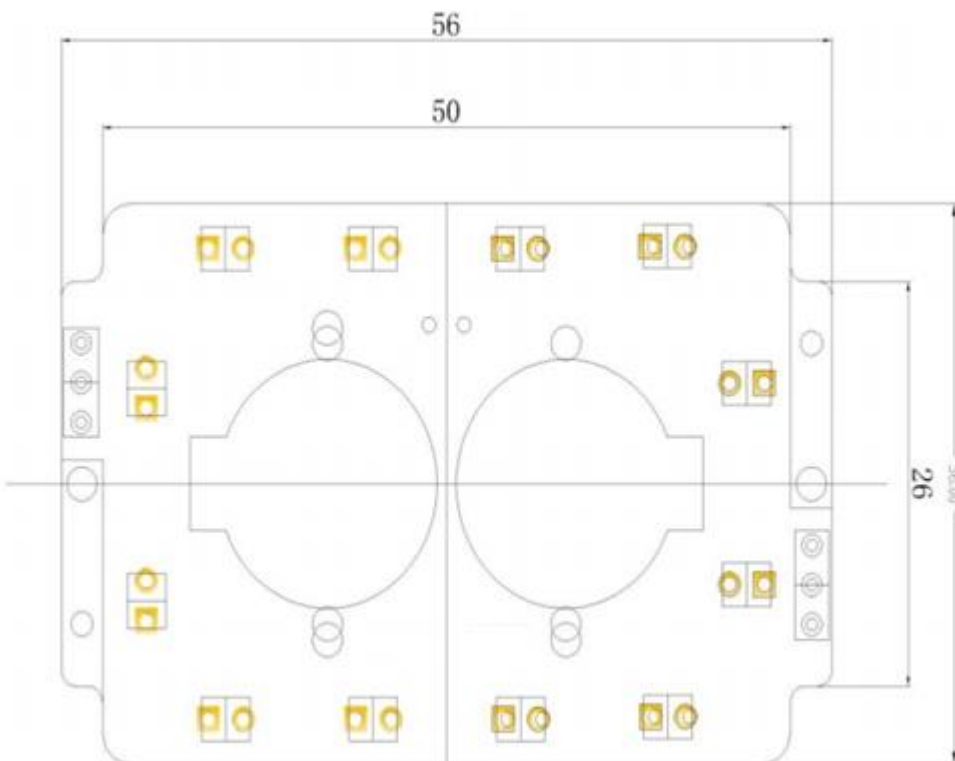
USB 2.0 2Mp Camera module For Facial Recognition

Module Model Name: **DJU-T201**

Photos:



Main bard Dimensions



Features

Dju-tech CO., LTD

www.dju-tech.com

Items	Description	
	A: Color	B: IR B/W
Sensor	1/2.7Inch CMOS	1/2.7Inch CMOS
Pixel size	3.0*3.0µm	3.0*3.0µm
Max Resolution	1920H x 1080V	1920H x 1080V
View Angle	100° distortionless	100° distortionless
Image Color	Color	IR B/W
IR LED	---	850NM IR filter
Scanning Speed	0.1s	0.1s
White Balance	Auto	Auto
Type of Focusing	Manual focus, fixed	Manual focus, fixed
Output & Power Supply	USB2.0	
Video Stream Format	MJPEG, YUY2	MJPEG, YUY2
Audio Input	Digital mic	Digital mic
Module Size	56*36 mm	
Resolution	MJPG: 1920x1080/30fps, 1280x720/30fps, 800x600/30fps, 640X480/30fps YUY2: 1920x1080/5fps, 1280x720/10fps, 800x600/20fps, 640X480/30fps	
Requested Systems	WinXP/Vista/Windows7(32bit/64bit)/Windows8 /Windows 10/MAC OSX El captain 10.11.4 and Linux /Android..etc	

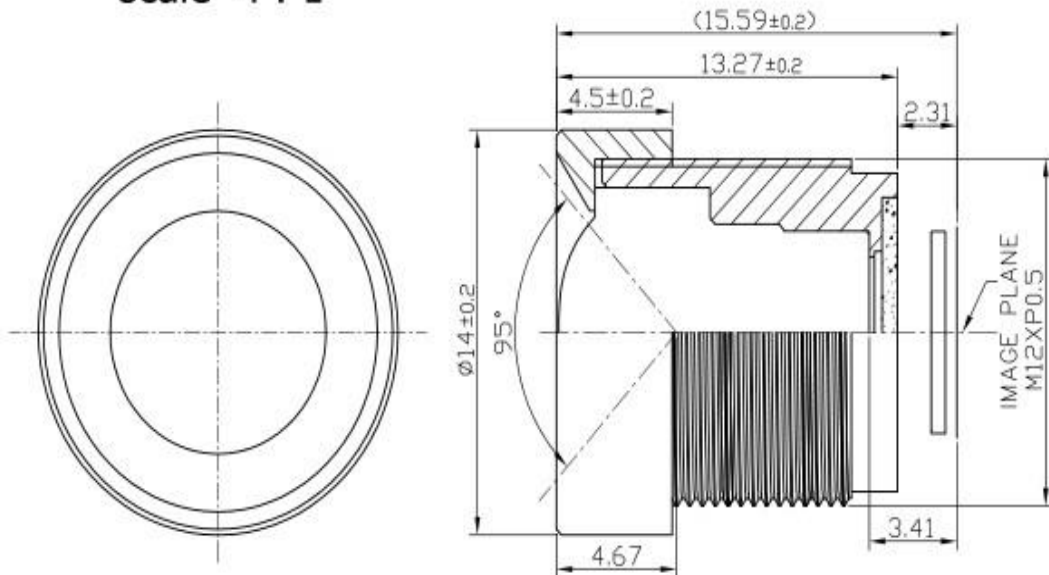
Lens Specification

1. SPECIFICATION :

SPECIFICATION		
1	SENSOR SIZE	1/2.7" for
2	WAVELENGTH	400-700nm(COLOR)
3	FOCAL LENGTH (EFL)	$f=3.0\pm 5\%$ mm
4	F/NO (INFINITE)	F/NO=2.4
5	BACK FOCAL LENGTH	BFL=3.41 $\pm 5\%$ mm
6	FLANGE BACK LENGTH	FB=2.31 $\pm 5\%$ mm
7	FIELD OF VIEW (DIAGONAL-DISTORTION)	$\phi 6.7$ mm-95 $\pm 5\%$ (-0.3%)
8	(Horizontal-DISTORTION)	$\phi 5.85$ mm-85 $\pm 5\%$ (-0.2%)
9	(Vertical-DISTORTION)	$\phi 3.24$ mm-56 $\pm 5\%$ (-0.2%)
10	THREAD SIZE	M12XP0.5
11	ELEMENT	2G2P+IR
12	TEMPERATURE RANGE :STORAGE	-20 $^{\circ}$ C~85 $^{\circ}$ C
13	TEMPERATURE RANGE :STABLE IMAGE	0 $^{\circ}$ C~40 $^{\circ}$ C
14	IR FILTER SPEC	FILTER:Tavg>=88% at430-620nm T=50% at650 ± 15 nm Tavg<5% at700-1100nm

2. OPTICAL LAYOUT :

scale 4 : 1



Applications:

